

WORLD
WIDE
SERVICE

YOUR VALUE ADDED DISTRIBUTOR
&
CUSTOMER ORIENTED INTEGRATOR

WE CAN HELP !

SERVING INDUSTRY



28,000 Square Foot Facility on 12 Acres

BROZELCO Inc.

229 DUNAVANT DRIVE
STOCK CREEK INDUSTRIAL PARK
ROCKFORD, TENNESSEE 37853

PHONE: (865) 609-0700

FAX: (865) 609-8016

www.brozelco.com

e-mail: customerservice@brozelco.com

SIEMENS

ABB

PEPPERL+FUCHS

WATLOW

Parker
Automation

TOSHIBA

Joslyn Clark *JC*



EUROTHERM

KOBOLD

RITTAL

HARDY
INSTRUMENTS

ABB

Industrial Controls, Switchgear, Soft Starters, Substation Transformers

Absolute Process Sensors

Signal Conditioners

Altech

Terminal Blocks and Enclosures

Ashcroft Heise

Pressure Calibrators, Precision Digital Pressure Transducers

Automatic Timing and Controls

Timers, Counters and Totalizers

Benshaw

Soft Starters and DC Injection Brakes

Boston Gear

Gear Boxes

Canty

Sight Glasses
Vessel Lights & Cameras

Danaher Controls

Warner Electric, Thompson, Superior Electric and Slo-Syn Motion Products

Dalton Electric

Industrial Heaters

Eaton / Cutler Hammer

All Industrial Products + Moeller

Edison Fuse

Fuses and Fuse Gear

Entrelec

Terminal Blocks, Electronic Interfaces and Remote I/O

Eurotherm

Temperature Controllers
Process Control Products
Paperless Recorders

Fabco Air

Pneumatic Cylinders, Slides, Grippers

GDS Corporation

Gas and Flame Detection Products

Hammond

Enclosures & Power Transformers

Hardy

Industrial Weighing Systems

Honeywell

Pressure Transducers, Load Cells
LVDT's, Accelerometers
Torque Transducers

IPS

Modular Framing Systems

Joslyn Clark

Industrial Controls
Vacuum Contactors / Starters

Klockner Moeller**Kobold**

Level, Flow, Pressure and Temperature Sensors

Kurz

Thermal Mass Flow Meters
Mass Flow Computers

Leeson

Motors, Brake Motors
Gear Motors

Lenze / AC Tech

Drives, Servos, Soft Starters

Meltric

Industrial Connectors

**Motortronics/
Phasetronics**

Soft Starters and Power Controls

MTE Corporation

Line Reactors and Filters

Nexen

Web Tensioning, Guiding, Sensing
Clutches, Brakes and Torque Limiters

Omega Heater

Ceramic and Mica Band Heaters

Onehalf 20

Melt Pressure Transducers & Extruder
Rupture Disks (Burst Plugs)

Parker Automation

Pneumatic & Hydraulic Products & Fittings, Machine Frame Extrusion
Vacuum and Sensors

Pepperl + Fuchs

Proximity, Photo, Ultrasonic
Sensors and ID Systems

Precision Digital

Digital Indicators, Counters
Timers, Process Meters

Process Sensors

Infrared Temperature Sensors
Thermal Imagers
Black Body Calibrators

Pyromation

Temperature Sensors,
Thermocouples and RTD's

RITTAL

Industrial Enclosures
Climate Controls

SEW Eurodrive

Gear Motors and Gear Boxes

SIEMENS

All Industrial Products

SSD Drives (Parker)

AC/DC Drives and Servos

Stober Drives

Gear Boxes, Gear Motors

Tapeswitch

Safety Mats and Sensing Edges
Sensing Bumpers

Topworx

Limit Switches

Toshiba

AC Motors / Drives
Circuit Breakers Soft Starters

Watlow Electric

Industrial Heaters and Control
Process Controllers and
Temperature Sensors

Integration Specialists Using Your Standardized Controls



Three Axis Stepper Drive System

Multi Axis Stepper and Servo Control Systems
Engineered Drive Systems, AC, DC, or Servo
PLC Control and HMI Interfaces
Power Distribution, Motor Control Centers, and Switchgear
Control Panel Manufacturing
Electrical, Pneumatic, and Hydraulic Systems
Material Handling Systems: Installation, Interface, & Control
Product Training

ARC Voltage Controlled Plasma Cutting Unit

Custom Machine Design and Fabrication
Fixtures and Jigs
Interfacing to CNC and Robotic Equipment
Pneumatic or Mechanical Pick and Place
Vision Inspection



Portable Nitrogen Gas Heater

Heating Equipment
Temperature, Pressure, Flow, Level & pH
Signal Conditioning, Monitoring & Control
Wireless I/O and Data Acquisition
Standard and Paperless Chart Recording
Single or Multiple PID Loop Control
Strain Gage and Weight

Operator Control Building

Licensed Electrical Contractor
E-Houses
Custom Fabricated Enclosures
Machine Guarding
Tube Steel or Extruded Aluminum Machine Frames
Dip Tanks
Pneumatic and Hydraulic Piping
Concrete Construction





229 Dunavant Drive
Rockford, Tennessee
37853

Toll Free Phone: 888-276-9352
Fax: 865-609-8016
Calls Answered 24 Hours

We Are A Value Added Distributor
For Our Customers!!

Find us on the web @
www.brozelco.com

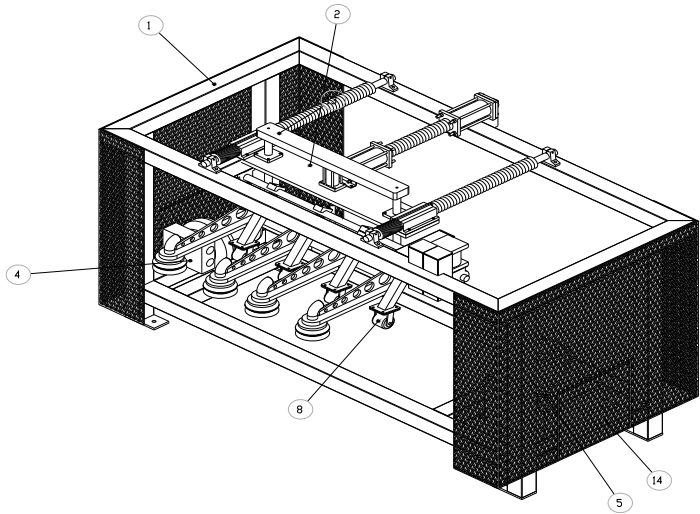
MISSION STATEMENT

Our mission is to provide quality products and service to a varying technical market. Our leadership team is committed to maintaining high ethical standards and integrity in all our business relationships. We desire to become an extension of our customer in their pursuit of excellence in the technical market. Our goal is customer satisfaction.

If it's unique or too tough for the rest: **"COME TO THE B.E.S.T."**
BROZELCO ENGINEERING & SERVICE TEAM

Complete Design and Fabrication of Custom Machines

ITEM NO.	QTY	PART (FILE) NO.	DESCRIPTION	REFER TO SHEET
1	1	Steel Frame		
10	4	4x4-0820_well_tube	FRAM TUBE	
4	1	4x4_ling_rod	FRAM PAD	
1	1	Drip_Plate_Tray	DRIP TRAY	
4	1	End_Plate	FRAM END PLATE	
2	1	Motor_Travel Assy.		3
4	1	Thomson_Standard_Support_Block	THOMSON STANDARD SUPPORT BLOCK	3
2	1	Thomson_Linear_Shafing_51	LINEAR SHAFING	3
2	1	Thomson_Ball_Bushing_Pillow_Block	THOMSON PILLOW BLOCK	3
1	1	Motor_Sliding_Plate	VERTICAL MOTION PLATE	3
8	1	Washers	SOCKET HEAD CAP SCREW	3
2	1	Expanded_Bellows	GORITTE	3
2	1	Collapsed_Bellows	GORITTE	3
1	1	Fabco_Air_4x8	FABCO AIR CYLINDER	3
1	1	Fabco_Air_4x8_Elonged	FABCO AIR CYLINDER	3
1	1	Cylinder_Mounting_Arm_Short	CYLINDER MOUNT	3
1	1	Fabco_4_clevis	FABCO AIR CYLINDER	3
4	1	nut 1-4	STEEL	3
2	1	Pressure_Equalizing_Tube	1/4" O.D. ALUMINUM TUBE	3
1	1	Steel 1-4-20x10	STEEL	3
2	1	Nut 1-4-20	STEEL	3
1	1	Fabco_Air_25x5	FABCO AIR CYLINDER	3
2	1	Suction_Cup_Assembly_New		6
1	1	Cup_Mounting_Plate_Horizontal		7
4	1	Cup_Mounting_Plate_Vb_Relieved		7
1	1	Cup_Mount_Plate_Vert		7
4	1	PIAB_Cup	PIAB VACUUM CUP	6
4	1	PIAB		6
4	1	Vacuum_Pump	RIETSCHLE VACUUM PUMP	
5	1	Right_Guard	EXPANDED METAL	9
6	1	Left_Guard	EXPANDED METAL	9
7	1	Hydraulic_Plant	AUTOSUP POWER UNIT	
8	1	Motor_Rotary Assy_Rotator		
2	1	Thomson_Ball_Bushing_Pillow_Block_Short	THOMSON PILLOW BLOCK	
1	1	Thomson_Linear_Shafing_107	LINEAR SHAFING	
1	1	Rotary_Actuator		
4	1	Castor Wheel		
4	1	Clamp_Cup		
1	1	Clamp_Post		
1	1	Castor_Mount		
1	1	Castor_Mount_Plate		
1	1	Suupper_M_Tube		
1	1	Castor	REFER TO SHEET 9	
6	1	2-B key		
9	2	Thomson_Elonged_Support_Block	REFER TO SHEET 5	
10	2	Thomson_Linear_Shafing_24	REFER TO SHEET 5	
11	2	Thomson_Bored_Flange_Bearing	REFER TO SHEET 5	
12	1	Piston_Extension	REFER TO SHEET 7	
13	1	End_Plate		
14	2	Guard Door		



© COPYRIGHT PROPRIETARY DATA. THIS MATERIAL IS THE PROPERTY OF BROZELCO TO BE RETURNED UPON REQUEST. NOT TO BE COPIED, REPRODUCED, LOANED, OR OTHERWISE DISPOSED OF IN ANY MANNER. COMPANY CONFIDENTIAL PROPRIETARY INFORMATION TO BE USED ONLY FOR REFERENCE INSTALLATION AND MAINTENANCE OF EQUIPMENT OF OTHER BRANDS WITH THE COMPANIES OF BROZELCO. FURTHER USE WITHOUT WRITTEN PERMISSION FIRST OBTAINED IS NOT AUTHORIZED.	DATE: _____ BY: _____ CHECKED BY: _____ APPROVED BY: _____	BROZELCO, INCORPORATED 229 DUNAVANT DRIVE / ROCKFORD, TN 37853-3065 PICK AND PLACE UNIT UNIT NO. _____ SERIAL NO. _____ DATE: _____
	SHEET 1 OF 1	